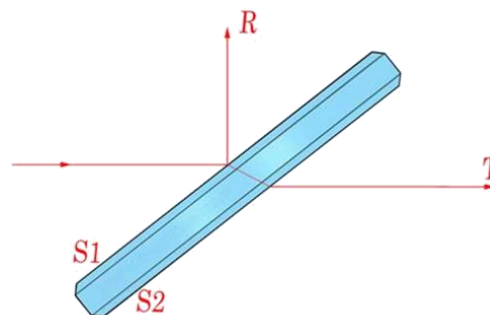


K9 Broadband Plate Beamsplitter

Specifications

- **Material:** H-K9L
- **Surface Figure:** $\lambda/2$ (per inch) @633nm
- **Parallelism:** <1'
- **Surface Quality:** 60-40 Scratch and dig
- **Clear Aperture:** 90%
- **Size Tolerance** +0.0/-0.25mm
- **Thickness Tolerance:** 3mm \pm 0.2mm
- **Chamfer:** Protective Chamfer 0.2~0.5mmX45°
- **Incident Angle:** 45°
- **Coating**
 - **S1:** Average Split ratio (R/T) \pm 10%
 - **S2:** Ravg < 1%



Size (mm)	Split Ratio (R/T)	250-400nm	400-700nm	700-1100nm
		Part No	Part No	Part No
ϕ 12.5	20R/80T	BSP2-0-125-20VIS	BSP2-0-125-20NIR	BSP2-0-125-20SWIR
ϕ 12.5	30R/70T	BSP2-0-125-30VIS	BSP2-0-125-30NIR	BSP2-0-125-30SWIR
ϕ 12.5	40R/60T	BSP2-0-125-40VIS	BSP2-0-125-40NIR	BSP2-0-125-40SWIR
ϕ 12.5	50R/50T	BSP2-0-125-50VIS	BSP2-0-125-50NIR	BSP2-0-125-50SWIR
ϕ 12.5	60R/40T	BSP2-0-125-60VIS	BSP2-0-125-60NIR	BSP2-0-125-60SWIR
ϕ 12.5	70R/30T	BSP2-0-125-70VIS	BSP2-0-125-70NIR	BSP2-0-125-70SWIR
ϕ 12.5	80R/20T	BSP2-0-125-80VIS	BSP2-0-125-80NIR	BSP2-0-125-80SWIR
12.5x17.5	20R/80T	BSP2-125-175-20VIS	BSP2-125-175-20NIR	BSP2-125-175-20SWIR
12.5x17.5	30R/70T	BSP2-125-175-30VIS	BSP2-125-175-30NIR	BSP2-125-175-30SWIR
12.5x17.5	40R/60T	BSP2-125-175-40VIS	BSP2-125-175-40NIR	BSP2-125-175-40SWIR
12.5x17.5	50R/50T	BSP2-125-175-50VIS	BSP2-125-175-50NIR	BSP2-125-175-50SWIR
12.5x17.5	60R/40T	BSP2-125-175-60VIS	BSP2-125-175-60NIR	BSP2-125-175-60SWIR
12.5x17.5	70R/30T	BSP2-125-175-70VIS	BSP2-125-175-70NIR	BSP2-125-175-70SWIR
12.5x17.5	80R/20T	BSP2-125-175-80VIS	BSP2-125-175-80NIR	BSP2-125-175-80SWIR
ϕ 25.0	20R/80T	BSP2-0-250-20VIS	BSP2-0-250-20NIR	BSP2-0-250-20SWIR
ϕ 25.0	30R/70T	BSP2-0-250-30VIS	BSP2-0-250-30NIR	BSP2-0-250-30SWIR
ϕ 25.0	40R/60T	BSP2-0-250-40VIS	BSP2-0-250-40NIR	BSP2-0-250-40SWIR
ϕ 25.0	50R/50T	BSP2-0-250-50VIS	BSP2-0-250-50NIR	BSP2-0-250-50SWIR
ϕ 25.0	60R/40T	BSP2-0-250-60VIS	BSP2-0-250-60NIR	BSP2-0-250-60SWIR
ϕ 25.0	70R/30T	BSP2-0-250-70VIS	BSP2-0-250-70NIR	BSP2-0-250-70SWIR
ϕ 25.0	80R/20T	BSP2-0-250-80VIS	BSP2-0-250-80NIR	BSP2-0-250-80SWIR

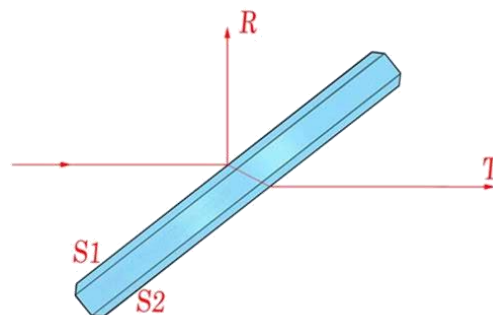
Z-OPTICS LIMITED

Tel: +86-577-8181-0885

sales@z-optics.com



K9 Broadband Plate Beamsplitter



Size (mm)	Split Ratio (R/T)	250-400nm	400-700nm	700-1100nm
		Part No	Part No	Part No
25.0x36.0	20R/80T	BSP2-250-360-20VIS	BSP2-250-360-20NIR	BSP2-250-360-20SWIR
25.0x36.0	30R/70T	BSP2-250-360-30VIS	BSP2-250-360-30NIR	BSP2-250-360-30SWIR
25.0x36.0	40R/60T	BSP2-250-360-40VIS	BSP2-250-360-40NIR	BSP2-250-360-40SWIR
25.0x36.0	50R/50T	BSP2-250-360-50VIS	BSP2-250-360-50NIR	BSP2-250-360-50SWIR
25.0x36.0	60R/40T	BSP2-250-360-60VIS	BSP2-250-360-60NIR	BSP2-250-360-60SWIR
25.0x36.0	70R/30T	BSP2-250-360-70VIS	BSP2-250-360-70NIR	BSP2-250-360-70SWIR
25.0x36.0	80R/20T	BSP2-250-360-80VIS	BSP2-250-360-80NIR	BSP2-250-360-80SWIR
φ50.0	20R/80T	BSP2-0-500-20VIS	BSP2-0-500-20NIR	BSP2-0-500-20SWIR
φ50.0	30R/70T	BSP2-0-500-30VIS	BSP2-0-500-30NIR	BSP2-0-500-30SWIR
φ50.0	40R/60T	BSP2-0-500-40VIS	BSP2-0-500-40NIR	BSP2-0-500-40SWIR
φ50.0	50R/50T	BSP2-0-500-50VIS	BSP2-0-500-50NIR	BSP2-0-500-50SWIR
φ50.0	60R/40T	BSP2-0-500-60VIS	BSP2-0-500-60NIR	BSP2-0-500-60SWIR
φ50.0	70R/30T	BSP2-0-500-70VIS	BSP2-0-500-70NIR	BSP2-0-500-70SWIR
φ50.0	80R/20T	BSP2-0-500-80VIS	BSP2-0-500-80NIR	BSP2-0-500-80SWIR
50.0x72.0	20R/80T	BSP2-500-720-20VIS	BSP2-500-720-20NIR	BSP2-500-720-20SWIR
50.0x72.0	30R/70T	BSP2-500-720-30VIS	BSP2-500-720-30NIR	BSP2-500-720-30SWIR
50.0x72.0	40R/60T	BSP2-500-720-40VIS	BSP2-500-720-40NIR	BSP2-500-720-40SWIR
50.0x72.0	50R/50T	BSP2-500-720-50VIS	BSP2-500-720-50NIR	BSP2-500-720-50SWIR
50.0x72.0	60R/40T	BSP2-500-720-60VIS	BSP2-500-720-60NIR	BSP2-500-720-60SWIR
50.0x72.0	70R/30T	BSP2-500-720-70VIS	BSP2-500-720-70NIR	BSP2-500-720-70SWIR
50.0x72.0	80R/20T	BSP2-500-720-80VIS	BSP2-500-720-80NIR	BSP2-500-720-80SWIR

Remarks:

1. Beam is split by energy, not polarization.
2. *more size or thickness out of the table, Please contact us.*

Z-OPTICS LIMITED

Tel: +86-577-8181-0885

sales@z-optics.com

