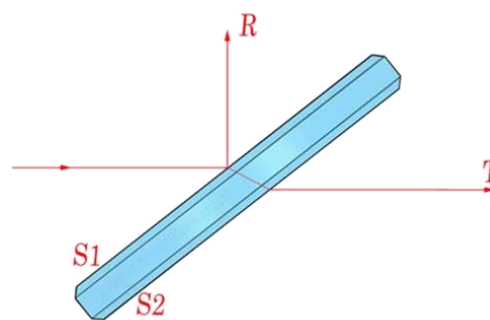


Economic Plate Beamsplitter

Specifications

- **Material:** B270
- **Surface Figure:** $4\sim 8 \lambda$ (per inch)@633
- **Parallelism:** $<3'$
- **Surface Quality:** 120-80 Scratch and dig
- **Size tolerance:** $+0.0/-0.25$ mm
- **Thickness tolerance:** $+/-0.2$ mm
- **Incident Angle:** 45 degree
- **Clear Aperture:** 90%



S1 Coating

- **VIS** - Split Ratio (R/T) $\pm 10\%$ average @400~700nm
- **NIR** - Split Ratio (R/T) $\pm 10\%$ average @600~1100nm
- **SWIR** - Split Ratio (R/T) ± 10 average @900~1700nm

S2 Coating

- **VIS** - $\text{Ravg} < 1\%$ @400~700nm
- **NIR** - $\text{Ravg} < 1\%$ @600~1100nm
- **SWIR** - $\text{Ravg} < 1\%$ @900~1700nm

VIS

Size (mm)	Split Ratio (R/T) - 30R/70T	Split Ratio (R/T) - 50R/50T	Split Ratio (R/T) - 70R/30T
	Part No	Part No	Part No
$\phi 12.5 \times 1.1$	BSP1-0-125-30VIS	BSP1-0-125-50VIS	BSP1-0-125-70VIS
12.5X12.5X1.1	BSP1-125-125-30VIS	BSP1-125-125-50VIS	BSP1-125-125-70VIS
12.3X17.5X1.1	BSP1-125-175-30VIS	BSP1-125-175-50VIS	BSP1-125-175-70VIS
20.0X30.0x1.1	BSP1-200-300-30VIS	BSP1-200-300-50VIS	BSP1-200-300-70VIS
$\phi 25.0 \times 1.1$	BSP1-0-250-30VIS	BSP1-0-250-50VIS	BSP1-0-250-70VIS
23.0X36.0X1.1	BSP1-250-360-30VIS	BSP1-250-360-50VIS	BSP1-250-360-70VIS
30.0X30.0x1.1	BSP1-300-300-30VIS	BSP1-300-300-50VIS	BSP1-300-300-70VIS
30.0X45.0X1.1	BSP1-300-450-30VIS	BSP1-300-450-50VIS	BSP1-300-450-70VIS
35.0X35.0X1.1	BSP1-350-350-30VIS	BSP1-350-350-50VIS	BSP1-350-350-70VIS
35.0X50.0X1.1	BSP1-350-500-30VIS	BSP1-350-500-50VIS	BSP1-350-500-70VIS
$\phi 50.0 \times 1.1$	BSP1-0-500-30VIS	BSP1-0-500-50VIS	BSP1-0-500-70VIS
50.0X50.0X1.1	BSP1-500-500-30VIS	BSP1-500-500-50VIS	BSP1-500-500-70VIS
50.0X72.0X1.1	BSP1-500-720-30VIS	BSP1-500-720-50VIS	BSP1-500-720-70VIS
75.0X75.0X1.1	BSP1-750-750-30VIS	BSP1-750-750-50VIS	BSP1-750-750-70VIS

Remarks:

1. Beam is split by energy, not polarization.
2. *more size or thickness out of the table, Please contact us.*

Z-OPTICS LIMITED

Tel: +86-577-8181-0885

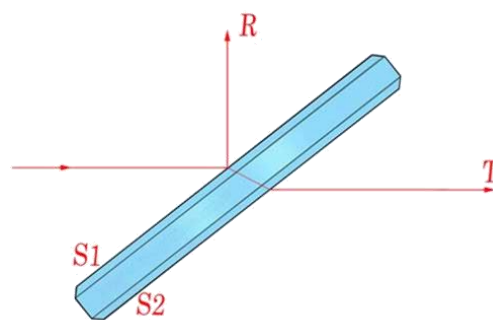
sales@z-optics.com



Economic Plate Beamsplitter

Specifications

- **Material:** B270
- **Surface Figure:** $4\sim 8 \lambda$ (per inch)@633
- **Parallelism:** $<3'$
- **Surface Quality:** 120-80 Scratch and dig
- **Size tolerance:** $+0.0/-0.25$ mm
- **Thickness tolerance:** $+/-0.2$ mm
- **Incident Angle:** 45 degree
- **Clear Aperture:** 90%



S1 Coating

- **VIS** - Split Ratio (R/T) $\pm 10\%$ average @400~700nm
- **NIR** - Split Ratio (R/T) $\pm 10\%$ average @600~1100nm
- **SWIR** - Split Ratio (R/T) ± 10 average @900~1700nm

S2 Coating

- **VIS** - $\text{Ravg} < 1\%$ @400~700nm
- **NIR** - $\text{Ravg} < 1\%$ @600~1100nm
- **SWIR** - $\text{Ravg} < 1\%$ @900~1700nm

NIR

Size (mm)	Split Ratio (R/T) - 30R/70T	Split Ratio (R/T) - 50R/50T	Split Ratio (R/T) - 70R/30T
	Part No	Part No	Part No
$\phi 12.5 \times 1.1$	BSP1-0-125-30NIR	BSP1-0-125-50NIR	BSP1-0-125-70NIR
12.5X12.5X1.1	BSP1-125-125-30NIR	BSP1-125-125-50NIR	BSP1-125-125-70NIR
12.3X17.5X1.1	BSP1-125-175-30NIR	BSP1-125-175-50NIR	BSP1-125-175-70NIR
20.0X30.0x1.1	BSP1-200-300-30NIR	BSP1-200-300-50NIR	BSP1-200-300-70NIR
$\phi 25.0 \times 1.1$	BSP1-0-250-30NIR	BSP1-0-250-50NIR	BSP1-0-250-70NIR
23.0X36.0X1.1	BSP1-250-360-30NIR	BSP1-250-360-50NIR	BSP1-250-360-70NIR
30.0X30.0x1.1	BSP1-300-300-30NIR	BSP1-300-300-50NIR	BSP1-300-300-70NIR
30.0X45.0X1.1	BSP1-300-450-30NIR	BSP1-300-450-50NIR	BSP1-300-450-70NIR
35.0X35.0X1.1	BSP1-350-350-30NIR	BSP1-350-350-50NIR	BSP1-350-350-70NIR
35.0X50.0X1.1	BSP1-350-500-30NIR	BSP1-350-500-50NIR	BSP1-350-500-70NIR
$\phi 50.0 \times 1.1$	BSP1-0-500-30NIR	BSP1-0-500-50NIR	BSP1-0-500-70NIR
50.0X50.0X1.1	BSP1-500-500-30NIR	BSP1-500-500-50NIR	BSP1-500-500-70NIR
50.0X72.0X1.1	BSP1-500-720-30NIR	BSP1-500-720-50NIR	BSP1-500-720-70NIR
75.0X75.0X1.1	BSP1-750-750-30NIR	BSP1-750-750-50NIR	BSP1-750-750-70NIR

Remarks:

1. Beam is split by energy, not polarization.
2. *more size or thickness out of the table, Please contact us.*

Z-OPTICS LIMITED

Tel: +86-577-8181-0885

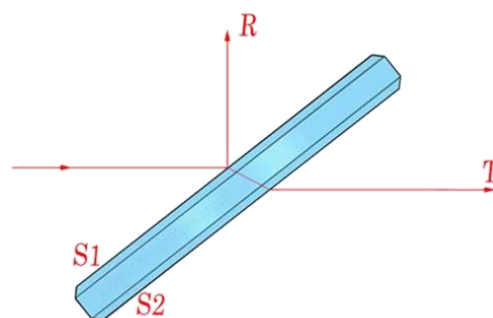
sales@z-optics.com



Economic Plate Beamsplitter

Specifications

- **Material:** B270
- **Surface Figure:** $4\sim 8 \lambda$ (per inch)@633
- **Parallelism:** $<3'$
- **Surface Quality:** 120-80 Scratch and dig
- **Size tolerance:** $+0.0/-0.25$ mm
- **Thickness tolerance:** $+/-0.2$ mm
- **Incident Angle:** 45 degree
- **Clear Aperture:** 90%



S1 Coating

- **VIS** - Split Ratio (R/T) $\pm 10\%$ average @400~700nm
- **NIR** - Split Ratio (R/T) $\pm 10\%$ average @600~1100nm
- **SWIR** - Split Ratio (R/T) ± 10 average @900~1700nm

S2 Coating

- **VIS** - $R_{avg} < 1\%$ @400~700nm
- **NIR** - $R_{avg} < 1\%$ @600~1100nm
- **SWIR** - $R_{avg} < 1\%$ @900~1700nm

SWIR

Size (mm)	Split Ratio (R/T) - 30R/70T	Split Ratio (R/T) - 50R/50T	Split Ratio (R/T) - 70R/30T
	Part No	Part No	Part No
$\phi 12.5 \times 1.1$	BSP1-0-125-30SWIR	BSP1-0-125-50SWIR	BSP1-0-125-70SWIR
12.5X12.5X1.1	BSP1-125-125-30SWIR	BSP1-125-125-50SWIR	BSP1-125-125-70SWIR
12.3X17.5X1.1	BSP1-125-175-30SWIR	BSP1-125-175-50SWIR	BSP1-125-175-70SWIR
20.0X30.0x1.1	BSP1-200-300-30SWIR	BSP1-200-300-50SWIR	BSP1-200-300-70SWIR
$\phi 25.0 \times 1.1$	BSP1-0-250-30SWIR	BSP1-0-250-50SWIR	BSP1-0-250-70SWIR
23.0X36.0X1.1	BSP1-250-360-30SWIR	BSP1-250-360-50SWIR	BSP1-250-360-70SWIR
30.0X30.0x1.1	BSP1-300-300-30SWIR	BSP1-300-300-50SWIR	BSP1-300-300-70SWIR
30.0X45.0X1.1	BSP1-300-450-30SWIR	BSP1-300-450-50SWIR	BSP1-300-450-70SWIR
35.0X35.0X1.1	BSP1-350-350-30SWIR	BSP1-350-350-50SWIR	BSP1-350-350-70SWIR
35.0X50.0X1.1	BSP1-350-500-30SWIR	BSP1-350-500-50SWIR	BSP1-350-500-70SWIR
$\phi 50.0 \times 1.1$	BSP1-0-500-30SWIR	BSP1-0-500-50SWIR	BSP1-0-500-70SWIR
50.0X50.0X1.1	BSP1-500-500-30SWIR	BSP1-500-500-50SWIR	BSP1-500-500-70SWIR
50.0X72.0X1.1	BSP1-500-720-30SWIR	BSP1-500-720-50SWIR	BSP1-500-720-70SWIR
75.0X75.0X1.1	BSP1-750-750-30SWIR	BSP1-750-750-50SWIR	BSP1-750-750-70SWIR

Remarks:

1. Beam is split by energy, not polarization.
2. *more size or thickness out of the table, Please contact us.*

Z-OPTICS LIMITED

Tel: +86-577-8181-0885

sales@z-optics.com

