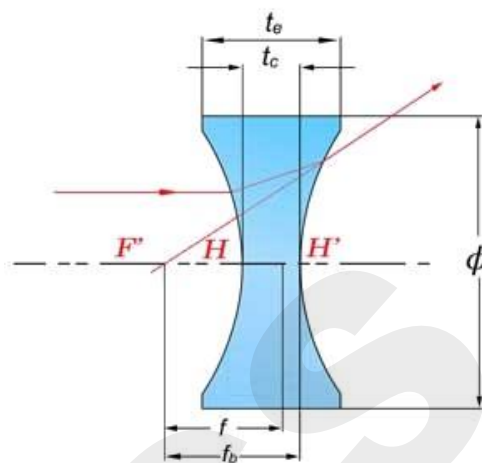


Double Concave Lens

Specifications:

- **Material:** BK7 or other optical glass, Fused Silica, CaF2, ZnSe
- **Diameter Tolerance:** +0.0, -0.15mm
- **Thickness Tolerance:** +/-0.2mm
- **Paraxial Focal Length:** ±2%
- **Centration:** 3 arc minutes
- **Surface Quality:** 60-40 scratch and dig
- **Surface Figure:** $\lambda/4@632.8\text{nm}$
- **Clear Aperture:** >85%
- **Coating:** Customer specified



Part Number	Diameter (mm)	Focal Length (f mm)	Back Focal Length (f _b mm)	- R1 (mm)	R2 (mm)	Center Thickness (T _c mm)	Edge Thickness (T _e mm)	Material
LEN3020-M002-10	2	-2	-2.31	2.22	2.22	1	1.48	
LEN3020-M2R5-10	2	-2.5	-2.81	2.74	2.74	1	1.38	
LEN3030-M003-10	3	-3	-3.31	3.26	3.26	1	1.73	
LEN3030-M6R3-10	3	-6.3	-6.7	6.67	6.67	1	1.34	
LEN3030-M010-10	3	-10	-10.4	10.5	10.5	1	1.22	
LEN3040-M004-10	4	-4	-4.32	4.3	4.3	1	1.99	
LEN3063-M6R3-15	6.3	-6.3	-6.8	6.75	6.75	1.5	3.06	
LEN3090-8R91-22R5ZF13	9	8.91		-14.6		2.25		H-ZF13
LEN3100-M010-15	10	-10	-10.5	10.58	10.58	1.5	4.01	
LEN3125-M12R5-15	12.5	-12.5	-12.5	12.64	12.64	1.5	4.81	
LEN3160-M016-15	16	-16	-16.5	16.78	16.78	1.5	5.56	
LEN3220-M20R8-20F4	22	-20.8		56.747	16.975	2		H-F4
LEN3250-M025-20	25	-25	-25.7	26.16	26.16		2	
LEN3400-M040-25	40	-40	-40.9	41.74	41.74		2.5	
LEN3500-M050-30	50	-50	-51	52.15	52.15		3	
LEN0500-M100-50	50	-100	-101.7	11.3	11.3	-104.55	5	
LEN0500-M100-50	50	-100	-101.7	-104.55	-104.55	5	11.3	
LEN0500-M125-50	50	-125	-126.7	9.95	9.95	-130.48	5	
LEN0750-M150-50	75	-150	-151.8	14.42	14.42	-156.57	5	
LEN0750-M200-50	75	-200	-202	11.94	11.94	-208.54	5	
LEN01000-M250-60	100	-250	-252	15.9	15.9	-260.32	6	
LEN01000-M300-60	100	-300	-302.2	14.18	14.18	-312.34	6	
LEN01000-M400-80	100	-400	-402.7	14.1	14.1	-416.18	8	



Double Concave Lens

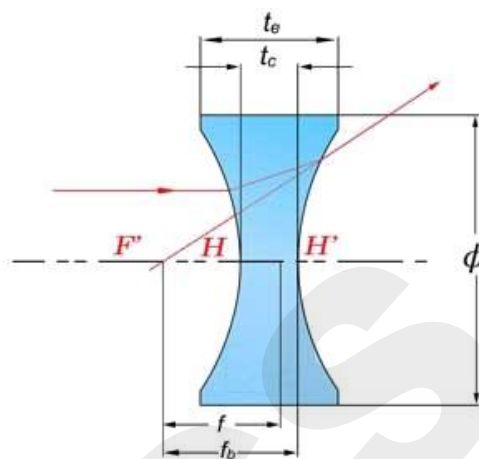
Part Number	Diameter (mm)	Focal Length (f mm)	Back Focal Length (fb mm)	- R1 (mm)	R2 (mm)	Center Thickness (Tc mm)	Edge Thickness (Te mm)	Material
LEN0500-M125-50	50	-125	-126.7	-130.48	-130.48	5	9.95	
LEN0750-M150-50	75	-150	-151.8	-156.57	-156.57	5	14.42	
LEN0750-M200-50	75	-200	-202	-208.54	-208.54	5	11.94	
LEN01000-M250-60	100	-250	-252	-260.32	-260.32	6	15.9	
LEN01000-M300-60	100	-300	-302.2	-312.34	-312.34	6	14.18	
LEN01000-M400-80	100	-400	-402.7	-416.18	-416.18	8	14.1	
LEN01000-M500-100	100	-500	-503.3	-520.22	-520.22	10	14.86	
LEN01000-M600-120	100	-600	-304	-624.67	-624.67	12	16.05	
LEN01250-M300-60	125	-300	-302	-312.13	-312.13	6	18.91	
LEN01250-M400-80	125	-400	-403.7	-416.18	-416.18	8	17.58	
LEN01250-M500-80	125	-500	-503	-520.22	-520.22	8	15.61	
LEN01250-M600-90	125	-600	-603.1	-632.86	-632.86	9	15.33	
LEN01250-M700-86	125	-700	-703.2	-727.72	-727.72	8.6	14.01	
LEN01250-M800-96	125	-800	-803.2	-831.31	-831.31	9.6	14.33	
LEN01500-M500-80	150	-500	-502.6	-519.8	-519.8	8	19.02	
LEN01500-M600-96	150	-600	-603.2	-623.86	-623.86	9.6	18.74	
LEN01500-M700-95	150	-700	-703.4	-727.84	-727.84	9.5	17.31	
LEN01500-M800-90	150	-800	-803.3	-831.48	-831.48	9	15.82	
LEN02000-M600-90	200	-600	-602.6	-623.38	-623.38	9	25.38	
LEN02000-M700-105	200	-700	-703.5	-727.72	-727.72	10.5	24.47	
LEN02000-M800-120	200	-800	-804	-831.68	-831.68	12	24.2	
LEN02000-M900-135	200	-900	-904.5	-935.64	-935.64	13.5	24.32	
LEN02000-M1000-130	200	-1000	-1004	-1039.6	-1039.6	13	22.71	
LEN02500-M800-104	250	-800	-803.4	-831.4	-831.4	10.4	29.53	
LEN02500-M900-110	250	-900	-903.8	-935.33	-935.33	11	27.95	
LEN02500-M1000-122	250	-1000	-1004	-1039.13	-1039.1	12.2	27.43	
LEN02500-M1100-134	250	-1100	-1104	-1143.04	-1143	13.4	27.22	
LEN02500-M1200-140	250	-1200	-1204	-1246.94	-1246.9	14	26.65	
LEN03000-M1000-110	300	-1000	-1003	-1039.03	-1039	11	33	
LEN03000-M1200-131	300	-1200	-1204	-1246.68	-1246.7	13.1	31.37	
LEN03000-M1400-142	300	-1400	-1404	-1454.47	-1454.5	14.2	29.82	
LEN03000-M1600-162	300	-1600	-1605	-1662.04	-1662	16.2	29.85	



SiO₂ Double Concave Lens

Specifications:

- **Material:** Fused Silica
- **Diameter Tolerance:** +0.0, -0.15mm
- **Thickness Tolerance:** +/-0.2mm
- **Paraxial Focal Length:** ±2%
- **Centration:** 3 arc minutes
- **Surface Quality:** 60-40 scratch and dig
- **Surface Figure:** λ/4@632.8nm
- **Clear Aperture:** >85%
- **Coating:** Customer specified



Part Number	Diameter (mm)	Focal Length (f mm)	Back Focal Length (fb mm)	R1=-R2 (mm)	Center Thickness (Tc mm)	Edge Thickness (Te mm)
LEN3063-M6R3-20FS	6.3	-6.3	-7	-6.08	2	3.76
LEN3100-M010-20FS	10	-10	-10.7	-9.48	2	4.85
LEN3127-M12R7-20FS	12.7	-12.7	-13.4	-11.95	2	5.65
LEN3127-M015-20FS	12.7	-15	-15.9	-14.12	2.4	5.42
LEN3254-M25R4-20FS	25.4	-25.4	-26.1	-23.6	2	9.42
LEN3254-M030-20FS	25.4	-30	-30.7	-27.82	2	8.14
LEN3254-M050-35FS	25.4	-50	-51.2	-46.6	3.5	7
LEN3254-M075-35FS	25.4	-75	-76.2	-69.6	3.5	5.8
LEN3254-M100-35FS	25.4	-100	-101.2	-92.6	3.5	5.3

