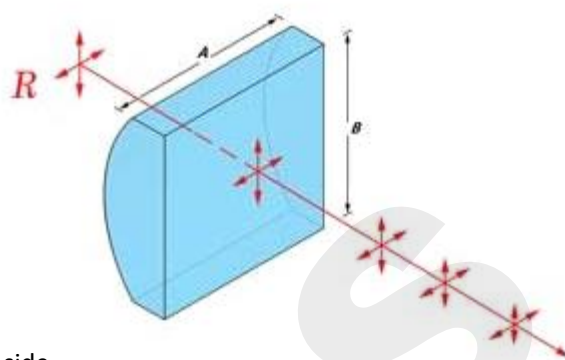


K9 Plano Convex Cylindrical lens

Specifications

- **Materials:** H-K9L or other optical glass,
fused silica, CaF2 and ZnSe
- **Diameter tolerance:** +0/-0.01 mm
- **Thickness Tolerance:** +/-0.2mm
- **Focal length tolerance:** +/- 1%
- **Surface quality:** 60/40
- **Clear aperture:** >90%
- **Surface figure:** $\lambda/2$ at 633nm on Plano side
- **Coating:** Customer Specified



Part Number	Diameter (mm)	Focal Length (f mm)	Back Focal Length (fb mm)	R1 (mm)	Center Thickness (Tc mm)	Edge Thickness (Te mm)
LEN8-50x50-020-24	5.0x5.0	20	18.5	10.33	2.31	2
LEN8-60x40-040-36	6.0x4.0	4	1.7	2.07	3.6	2
LEN8-60x40-5R8-25	6.0x4.0	5.8	4	3	2.5	2
LEN8-60x40-5R8-28	6.0x4.0	5.8	4	3	2.8	2
LEN8-60x40-5R8-26	6.0x4.0	5.8	4	3	2.6	2
LEN8-60x60-6R4-40	6.0x6.0	6.4	3.7	3.3	4	2
LEN8-80x40-040-36	8.0x4.0	4	1.7	2.07	3.6	2
LEN8-80x40-5R8-25	8.0x4.0	5.8	4	3	2.5	2
LEN8-80x60-6R4-40	8.0x6.0	6.4	3.7	3.3	4	2
LEN8-90x70-7R7-41	9.0x7.0	7.7	5	4.1	4.1	2
LEN8-90x70-7R7-410	9.0x7.0	7.7	5	41	4.1	2
LEN8-100x100-12R7-44	10.0x10.0	12.7	9.9	6.56	4.31	2
LEN8-100x100-020-33	10.0x10.0	20	17.8	10.33	3.29	2
LEN8-100x100-025-31	10.0x10.0	25	22.9	12.92	3.01	2
LEN8-100x100-12R7-4310	10.0x10.0	12.7	9.5	6.56	4.31	2
LEN8-120x100-010-59	12.0x10.0	10	6.1	5.17	5.9	2
LEN8-120x100-12R7-44	12.0x10.0	12.7	9.9	6.56	4.31	2
LEN8-120x100-015-38	12.0x10.0	15	12.5	7.76	3.8	2
LEN8-120x100-020-33	12.0x10.0	20	17.8	10.34	3.3	2
LEN8-120x100-025-30	12.0x10.0	25	22.9	12.93	3	2
LEN8-120x100-040-26	12.0x10.0	40	38.3	20.68	2.6	2
LEN8-120x100-12R7-4310	12.0x10.0	12.7	9.9	6.56	4.31	2
LEN8-120x100-015-36	12.0x10.0	15	12.5	7.76	3.6	2
LEN8-120x60-6R4-40	12.0x6.0	6.4	3.7	3.3	4	2
LEN8-120x60-6R4-400	12.0x6.0	6.4	3.7	3.3	40	2
LEN8125-12R7-66	12.5	12.7	8.3	6.56	6.57	2
LEN8125-025-37	12.5	25	22.6	12.93	3.61	2
LEN8125-050-28	12.5	50	48.1	25.85	2.77	2
LEN8125-075-25	12.5	75	73.3	38.78	2.5	2
LEN8125-100-24	12.5	100	98.4	51.68	2.38	2
LEN8-125-075-25	12.5	75	73.3	38.78	2.5	2
LEN8-125-100-24	12.5	100	98.4	51.68	2.38	2
LEN8-170x150-020-52	17.0x15.0	20	16.6	10.34	5.2	2
LEN8-170x150-020-50	17.0x15.0	20	16.6	10.34	5.2	2
LEN8-200x100-010-59	20.0x10.0	10	6.1	5.17	5.9	2
LEN8-200x100-12R7-44	20.0x10.0	12.7	9.9	6.56	4.31	2
LEN8-200x100-015-36	20.0x10.0	15	12.5	7.76	3.6	2
LEN8-200x100-020-33	20.0x10.0	20	17.8	10.34	3.29	2
LEN8-200x100-025-31	20.0x10.0	25	23	12.93	3.01	2
LEN8-200x100-040-26	20.0x10.0	40	36.3	20.68	2.6	2
LEN8-200x100-015-38	20.0x10.0	15	12.5	7.76	3.8	2



K9 Plano Convex Cylindrical lens

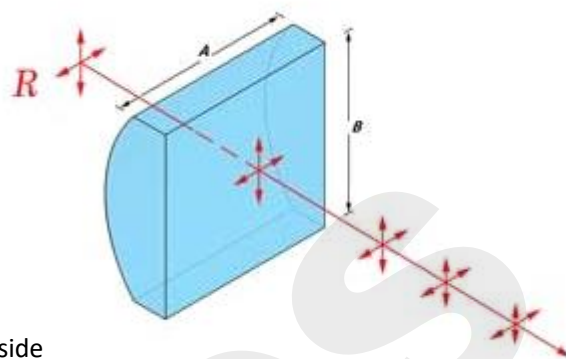
Part Number	Diameter (mm)	Focal Length (f mm)	Back Focal Length (fb mm)	R1 (mm)	Center Thickness (Tc mm)	Edge Thickness (Te mm)
LEN8-200x100-015-38	20.0x10.0	15	12.5	7.76	3.8	2
LEN8-200x200-050-41	20.0x20.0	50	47.4	25.65	4.02	2
LEN8-200x200-075-34	20.0x20.0	75	72.8	36.78	3.31	2
LEN8-200x200-100-40	20.0x20.0	100	97.4	51.68	3.98	3
LEN8-200x200-150-37	20.0x20.0	150	147.6	77.55	3.65	3
LEN8-200x200-200-35	20.0x20.0	200	197.7	103.4	3.49	3
LEN8-200x200-250-34	20.0x20.0	250	247.8	129.25	3.39	3
LEN8-200x200-300-34	20.0x20.0	300	297.8	155.1	3.32	3
LEN8-200x200-500-32	20.0x20.0	500	497.9	258.5	3.19	3
LEN8-200x200-1000-31	20.0x20.0	1000	998.2	516.8	3.1	3
LEN8025-025-117	25	25	17.3	12.93	11.62	2
LEN8025-050-53	25	50	46.5	25.85	5.22	2
LEN8025-075-41	25	75	72.3	38.78	4.07	2
LEN8025-100-36	25	100	97.6	51.68	3.53	2
LEN8025-125-33	25	125	122.8	64.6	3.22	2
LEN8025-150-31	25	150	148	77.55	3.01	2
LEN8250-025-117	25	25	17.3	12.93	11.62	2
LEN8250-050-53	25	50	46.5	25.85	5.22	2
LEN8250-075-41	25	75	72.3	38.78	4.07	2
LEN8250-100-36	25	100	97.6	51.68	3.53	2
LEN8250-125-33	25	125	122.8	64.6	3.22	2
LEN8250-150-31	25	150	148	77.55	3.01	2
LEN8-400x200-025-67	40.0x20.0	25	20.4	12.93	6.7	2
LEN8-400x200-030-57	40.0x20.0	30	26.3	15.51	5.7	2
LEN8-400x200-040-46	40.0x20.0	40	37	20.68	4.6	2
LEN8-400x200-050-41	40.0x20.0	50	47.4	25.85	4.02	2
LEN8-400x200-075-34	40.0x20.0	75	72.8	38.78	3.31	2
LEN8-400x200-100-40	40.0x20.0	100	97.4	51.68	3.98	3
LEN8-400x200-150-37	40.0x20.0	150	147.6	77.55	3.65	3
LEN8-400x200-200-35	40.0x20.0	200	197.7	103.4	3.49	3
LEN8-400x200-250-31	40.0x20.0	250	247.8	129.25	3.39	3
LEN8-400x200-300-34	40.0x20.0	300	297.6	155.1	3.32	3
LEN8-400x200-500-32	40.0x20.0	500	497.9	258.5	3.19	3
LEN8-400x200-1000-31	40.0x20.0	1000	996.2	516.8	3.1	3
LEN8-400x200-040-460	40.0x20.0	40	37	20.68	4.6	2
LEN8-400x200-250-34	40.0x20.0	250	247.8	129.25	3.39	3
LEN8-530x530-075-115	53.0x50.6	75	67.4	38.78	11.5	2
LEN8-530x530-50R8-216	53.0x50.8	50.8	36.7	26.26	21.6	2
LEN8-530x530-60R6-216	53.0x50.8	50.8	36.7	26.26	21.6	2
LEN8-600x300-050-68	60.0x30.0	50	455	25.85	6.8	2
LEN8-600x300-100-52	60.0x30.0	100	96.6	51.7	5.2	3
LEN8-600x300-150-45	60.0x30.0	150	147.1	77.55	4.5	3
LEN8-600x300-200-41	60.0x30.0	200	197.3	103.4	4.1	3
LEN8-600x300-300-37	60.0x30.0	300	297.7	155.1	3.7	3
LEN8-600x300-400-35	60.0x30.0	400	397.7	206.8	3.5	3
LEN8-600x300-500-34	60.0x30.0	500	497.7	258.5	3.4	3
LEN8-600x300-1000-32	60.0x30.0	1000	997.9	516.6	3.2	3
LEN8-600x300-150-450	60.0x30.0	150	147.1	77.55	4.5	3



SiO₂ Plano Convex Cylindrical Lens

Specifications

- **Materials:** H-K9L or other optical glass, fused silica, CaF₂ and ZnSe
- **Diameter tolerance:** +0/-0.01 mm
- **Thickness Tolerance:** +/-0.2mm
- **Focal length tolerance:** +/- 1%
- **Surface quality:** 60/40
- **Clear aperture:** >90%
- **Surface figure:** $\lambda/2$ at 633nm on Plano side
- **Coating:** Customer Specified



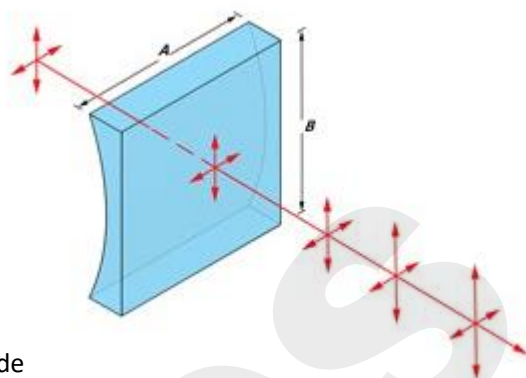
Part Number	Diameter (mm)	Focal Length (f mm)	Back Focal Length (fb mm)	R1 (mm)	Center Thickness (Tc mm)	Edge Thickness (Te mm)
LEN8-100x100-12R7-49FS	10.0x10.0	12.7	9.3	5.82	4.84	2
LEN8-100x100-020-35FS	10.0x10.0	20	17.5	9.16	3.49	2
LEN8-100x100-025-32FS	10.0x10.0	25	22.8	11.45	3.15	2
LEN8-100x100-040-27FS	10.0x10.0	40	38.1	16.32	2.7	2
LEN8-100x100-050-26FS	10.0x10.0	50	48.2	22.92	2.55	2
LEN8-100x100-075-24FS	10.0x10.0	75	73.3	34.35	2.37	2
LEN8-100x100-100-23FS	10.0x10.0	100	98.4	45.85	2.27	2
LEN8-100x100-150-22FS	10.0x10.0	150	148.5	68.78	2.18	2
LEN8-100x100-200-22FS	10.0x10.0	200	198.5	91.7	2.14	2
LEN8-100x100-250-22FS	10.0x10.0	250	248.5	114.62	2.11	2
LEN8-100x100-300-21FS	10.0x10.0	300	298.5	137.55	2.09	2
LEN8125-025-39FS	12.5	25	22.3	11.46	3.85	2
LEN8125-050-29FS	12.5	50	48	22.93	2.87	2
LEN8125-075-26FS	12.5	75	73.2	34.38	2.57	2
LEN8125-100-25FS	12.5	100	98.3	45.85	2.43	2
LEN8-200x100-127-49FS	20.0x10.0	127	9.3	5.82	4.84	2
LEN8-200x100-020-35FS	20.0x10.0	20	17.5	9.16	3.49	2
LEN8-200x100-025-32FS	20.0x10.0	25	22.8	11.45	3.15	2
LEN8-200x100-040-27FS	20.0x10.0	40	38.1	18.32	2.7	2
LEN8-200x100-050-26FS	20.0x10.0	50	48.2	22.92	2.55	2
LEN8-200x100-075-24FS	20.0x10.0	75	73.3	34.35	2.37	2
LEN8-200x100-100-23FS	20.0x10.0	100	98.4	45.85	2.27	2
LEN8-200x100-150-22FS	20.0x10.0	150	148.5	68.78	2.18	2
LEN8-200x100-200-22FS	20.0x10.0	200	198.5	91.7	2.14	2
LEN8-200x100-250-22FS	20.0x10.0	250	248.5	114.62	2.11	2
LEN8-200x100-300-21FS	20.0x10.0	300	298.5	137.55	2.09	2
LEN8250-050-58FS	25	50	46.1	22.93	5.71	2
LEN8250-075-44FS	25	75	72	34.39	4.35	2
LEN8250-100-38FS	25	100	97.4	45.85	3.74	2
LEN8250-150-32FS	25	150	147.8	68.78	3.15	2
LEN8-300x200-025-79FS	30.0x20.0	25	19.5	11.45	7.87	2
LEN8-300x200-050-43FS	30.0x20.0	50	47	22.92	4.3	2
LEN8-300x200-075-35FS	30.0x20.0	75	72.5	34.35	3.49	2
LEN8-300x200-100-31FS	30.0x20.0	100	97.8	45.85	3.1	2



K9 Plano Concave Cylindrical Lens

Specifications

- **Materials :** H-K9L or other optical glass,
fused silica, CaF2 and ZnSe
- **Diameter tolerance :** +0/-0.01 mm
- **Thickness Tolerance:** +/-0.2mm
- **Focal length tolerance :** +/- 1%
- **Surface quality:** 60/40
- **Clear aperture :** >90%
- **Surface figure:** $\lambda/2$ at 633nm on Plano side
- **Coating:** Customer Specified



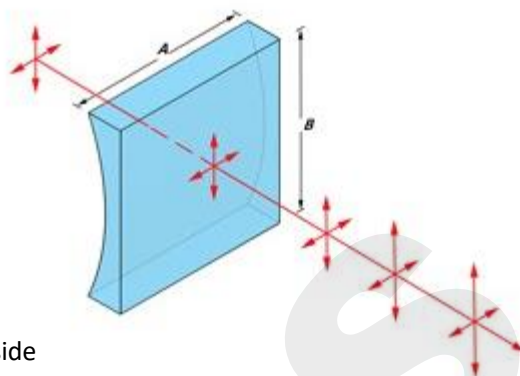
Part Number	Diameter (mm)	Focal Length (f mm)	Back Focal Length (fb mm)	R1 (mm)	Center Thickness (Tc mm)	Edge Thickness (Te mm)
LEN8-80x40-M004-20	8.0x4.0	-4	-5.3	-2.07	2	3.54
LEN8-80x40-M5R5-20	8.0x4.0	-5.8	-7.1	-3	2	2.76
LEN8-80x40-M5R8-20	8.0x4.0	-5.8	-7.1	-3	2	2.76
LEN8-80x60-M6R4-20	8.0x6.0	-6.4	-7.7	-3.3	2	3.93
LEN8-100x100-M12R7-20	10.0x10.0	-12.7	-14	-6.56	2	4.31
LEN8-100x100-M025-20	10.0x10.0	-25	-26.2	-12.93	2	3.01
LEN8-120x60-M6R4-20	12.0x6.0	-6.4	-7.7	-3.3	2	3.93
LEN8-120x100-M12R7-20	12.0x10.0	-12.7	-14	-6.56	2	4.31
LEN8-120x100-M015-20	12.0x10.0	-15	-16.3	-7.76	2	3.83
LEN8-120x100-M025-20	12.0x10.0	-25	-26.2	-12.93	2	3.01
LEN8-120x100-M040-20	12.0x10.0	-40	-41.3	-20.68	2	2.61
LEN8-200x100-M12R7-20	20.0x10.0	-12.7	-14	-6.56	2	4.31
LEN8-200x100-M025-20	20.0x10.0	-25	-26.3	-12.93	2	3.01
LEN8-200x200-M050-20	20.0x20.0	-50	-51.3	-25.85	2	4.01
LEN8-200x200-M075-30	20.0x20.0	-75	-76.3	-38.78	3	4.31
LEN8-200x200-M100-30	20.0x20.0	-100	-101.3	-51.64	3	3.98
LEN8-200x200-M150-30	20.0x20.0	-150	-152	-77.55	3	3.65
LEN8-200x200-M200-30	20.0x20.0	-200	-202	-103.4	3	3.48
LEN8-200x200-M250-30	20.0x20.0	-250	-252	-129.25	3	3.39
LEN8-200x200-M300-30	20.0x20.0	-300	-301.7	-155.1	3	3.32
LEN8-200x200-M600-30	20.0x20.0	-600	-502	-258.5	3	3.19
LEN8-200x200-M1000-30	20.0x20.0	-1000	-1002	-516.8	3	3.1
LEN8-210x190-M019-20	21.0x19.0	-19	-20.3	-9.8	2	9.39
LEN8-250x160-M25R2-15	25.0x16.0	-25.2	-26.2	-13	1.5	4.25
LEN8-400x200-M050-20	40.0x20.0	-50	-52	-25.85	2	4.01
LEN8-400x200-M075-30	40.0x20.0	-75	-77	-38.78	3	4.31
LEN8-400x200-M100-30	40.0x20.0	-100	-101.3	-51.68	3	3.98
LEN8-400x200-M150-30	40.0x20.0	-150	-152	-77.55	3	3.65
LEN8-400x200-M200-30	40.0x20.0	-200	-202	-103.4	3	3.48
LEN8-400x200-M250-30	40.0x20.0	-250	-252	-129.25	3	3.39
LEN8-400x200-M500-30	40.0x20.0	-500	-502	-258.5	3	3.19
LEN8-400x200-M1000-30	40.0x20.0	-1000	-1002	-516.8	3	3.1
LEN8-530x50R8-M50R8-20	53.0x50.8	-50.8	-52.3	-26.4	2	19.92
LEN8-530x50R8-M075-20	53.0x50.8	-75	-76.3	-38.8	2	11.13



SiO₂ Plano Concave Cylindrical Lens

Specifications

- **Materials** : H-K9L or other optical glass,
fused silica, CaF₂ and ZnSe
- **Diameter tolerance** : +0/-0.01 mm
- **Thickness Tolerance**: +/-0.2mm
- **Focal length tolerance** : +/- 1%
- **Surface quality**: 60/40
- **Clear aperture** : >90%
- **Surface figure**: $\lambda/2$ at 633nm on Plano side
- **Coating**: Customer Specified



Part Number	Diameter (mm)	Focal Length (f mm)	Back Focal Length (fb mm)	R1 (mm)	Center Thickness (Tc mm)	Edge Thickness (Te mm)
LEN8-100x100-M12R7-20FS	10.0x10.0	-12.7	-14.07	5.82	2.0	4.84
LEN8-100x100-M020-20FS	10.0x10.0	-20	-21.35	9.16	2.0	3.49
LEN8-100x100-M025-20FS	10.0x10.0	-25	-26.35	11.45	2.0	3.15
LEN8-100x100-M040-20FS	10.0x10.0	-40	-41.33	18.32	2.0	2.7
LEN8-100x100-M060-20FS	10.0x10.0	-50	-51.36	22.92	2.0	2.55
LEN8-100x100-M075-20FS	10.0x10.0	-75	-76.3	34.35	2.0	2.37
LEN8-100x100-M100-20FS	10.0x10.0	-100	-101.38	45.35	2.0	2.27
LEN8-100x100-M150-20FS	10.0x10.0	-150	-151.39	68.78	2.0	2.18
LEN8-100x100-M200-20FS	10.0x10.0	-200	-201.39	91.7	2.0	2.14
LEN8-100x100-M250-20FS	10.0x10.0	-250	-251.38	114.62	2.0	2.11
LEN8-100x100-M300-20FS	10.0x10.0	-300	-301.4	137.55	2.0	2.09
LEN8-200x100-M12R7-20FS	20.0x10.0	-12.7	-14.07	5.82	2.0	4.84
LEN8-200x100-M020-20FS	20.0x10.0	-20	-21.35	9.16	2.0	3.49
LEN8-200x100-M025-20FS	20.0x10.0	-25	-26.35	11.45	2.0	3.15
LEN8-200x100-M040-20FS	20.0x10.0	-40	-41.33	18.32	2.0	2.7
LEN8-200x100-M050-20FS	20.0x10.0	-50	-51.36	22.92	2.0	2.55
LEN8-200x100-M075-20FS	20.0x10.0	-75	-76.3	34.35	2.0	2.37
LEN8-200x100-M100-20FS	20.0x10.0	-100	-101.38	45.85	2.0	2.27
LEN8-200x100-M150-20FS	20.0x10.0	-150	-151.39	68.78	2.0	2.18
LEN8-200x100-M200-20FS	20.0x10.0	-200	-201.39	91.7	2.0	2.14
LEN8-200x100-M250-20FS	20.0x10.0	-250	-251.38	114.62	2.0	2.11
LEN8-200x100-M300-20FS	20.0x10.0	-300	-301.4	137.55	2.0	2.09
LEN8-300x200-M025-20FS	30.0x20.0	-25	-26.35	11.45	2.0	7.87
LEN8-300x200-M050-20FS	30.0x20.0	-50	-51.36	22.92	2.0	4.3
LEN8-300x200-M075-20FS	30.0x20.0	-75	-76.3	34.35	2.0	3.49
LEN8-300x200-M100-20FS	30.0x20.0	-100	-101.38	45.85	2.0	3.1