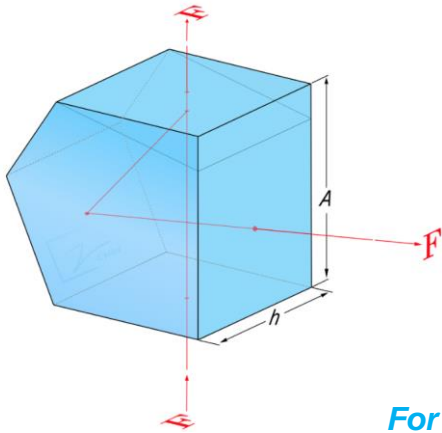


Beamsplitter Penta Prism



Specifications:

- **Material:** H-K9L
- **Diameter Tolerance(h):** +/-0.1mm
- **Diameter Tolerance(A):** +/-0.2mm
- **90°, 180° Deviation Tolerance** < 30 arc seconds
- **Surface Quality:** 60-40 scratch and dig
- **Flatness:** $\lambda/2@632.8\text{nm}$
- **Beamsplitter Ratio :** 20/80 \pm 5@ 630-680nm, T/R
- **Chamfer:** Protective bevel

For higher requirements please contact us directly

size (mm)	Part No.		
	1 min. Deviation	30 sec. Deviation	15 sec. Deviation
7 x 6	PRS1300	PRS1310	PRS1320
10 x 10	PRS1301	PRS1311	PRS1321
15 x 15	PRS1302	PRS1312	PRS1322
20 x 20	PRS1303	PRS1313	PRS1323

Z-OPTICS LIMITED

Tel: +86-577-8181-0885, Fax: +86-577-6286-6900
 sales@z-optics.com