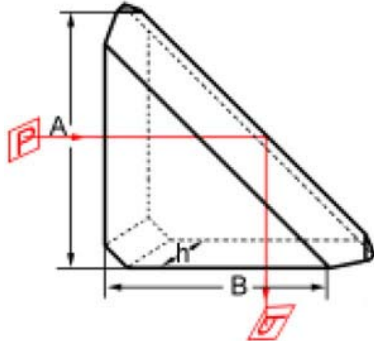




Roof Prisms



Specifications:

Material:	BK7
Diameter Tolerance(A):	+0.0/-0.2mm
Diameter Tolerance(B):	+/- 0.3mm
Diameter Tolerance(h):	+/- 0.2mm
Roof Angle Tolerance:	+/- 3 arc minutes
Surface Quality:	60-40 scratch and dig
Clear Aperture:	>85%
Flatness:	$\lambda/2@632.8\text{nm}$
Chamfer:	Protective bevel

Part No.	A (mm)	B (mm)	h (mm)
PRS2101	24.4	20.0	20.0
PRS2201	41.1	30.0	30.0

Z-OPTICS LIMITED

Tel: +86-577-8181-0885 Fax: +86-577-6286-6900

sales@z-optics.com

www.z-optics.com