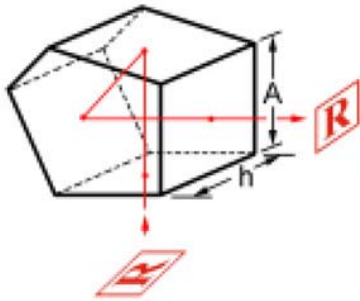


A penta prism is a five-sided reflecting prism used to deviate a beam of light by 90°. The beam reflects inside the prism twice, allowing the transmission of an image through a right angle without inverting it (that is, without changing the image's handedness) as an ordinary right-angle prism would. The important properties of Penta Prism are

- * The image is neither inverted nor reversed, just deviated by 90°.
- * With the prism, a constant deviation angle applies to all rays transmitted by the useful aperture, regardless of the angles between these rays and the optical axis (or entrance and exit face normal).

Specifications:



Material:	BK7
Diameter Tolerance(h):	+0.0/-0.1mm
Diameter Tolerance(A):	+/-0.2mm
Surface Quality:	60-40 scratch and dig
Flatness:	$\lambda/4@632.8\text{nm}$
Reflectivity:	R > 95% per face @ 630 to 680 nm
Coating:	Aluminum and black painting are available
Chamfer:	Protective bevel

Axh (mm)	Part No.		
	1 min. Deviation	30 sec. Deviation	10 sec. Deviation
7 x 6	PRS1100	PRS1110	PRS1120
10 x 10	PRS1101	PRS1111	PRS1121
15 x 15	PRS1102	PRS1112	PRS1122
20 x 20	PRS1103	PRS1113	PRS1123