

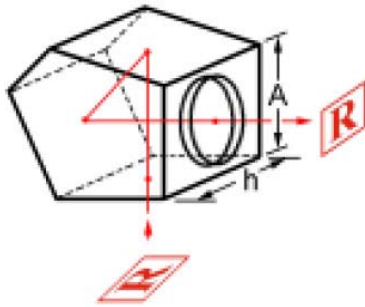


High Precision Penta Prisms

A penta prism is a five-sided reflecting prism used to deviate a beam of light by 90°. The beam reflects inside the prism twice, allowing the transmission of an image through a right angle without inverting it (that is, without changing the image's handedness) as an ordinary right-angle prism would. The important properties of Penta Prism are

- * The image is neither inverted nor reversed, just deviated by 90°.
- * With the prism, a constant deviation angle applies to all rays transmitted by the useful aperture, regardless of the angles between these rays and the optical axis (or entrance and exit face normal).

A high precision penta prism is that : a wedge is added to get smaller deviation, which can be used in Plumb Level, Surveying, Alignment, Rangefinding and Optical Tooling.



Specifications:

Material:	BK7
Diameter Tolerance:	+/-0.25mm
Surface Quality:	60-40 scratch and dig
90° Deviation Tolerance:	2 arc seconds
Flatness:	$\lambda/4@632.8\text{nm}$
Reflectivity:	R > 95% per face @ 630 to 680 nm
Coating:	Aluminum and black painting are available
Chamfer:	Protective bevel

Axh (mm)	Part No. (2.5 sec. Deviation)
18 x 18	PRS1200

Z-OPTICS LIMITED

Tel: +86-577-8181-0885 Fax: +86-577-6286-6900

sales@z-optics.com

www.z-optics.com