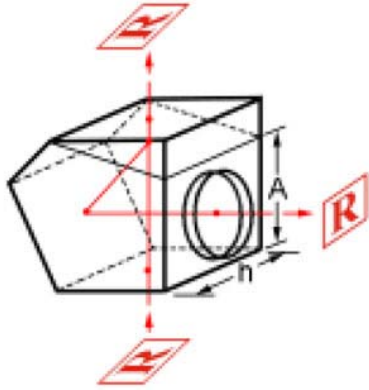




High Precision Beamsplitter Penta Prisms



Specifications:

Material:	BK7
Diameter Tolerance:	+/-0.25mm
90° Deviation Tolerance:	2 arc seconds
180° Deviation Tolerance:	4 arc seconds
Surface Quality:	60-40 scratch and dig
Flatness:	$\lambda/4@632.8\text{nm}$
Reflectivity:	R > 95% per face @ 633 nm
Chamfer:	Protective bevel

Axh (mm)	Part No. (2.5 sec. Deviation)
18 x 18	PRS1300

Z-OPTICS LIMITED

Tel: +86-577-8181-0885 Fax: +86-577-6286-6900

sales@z-optics.com

www.z-optics.com