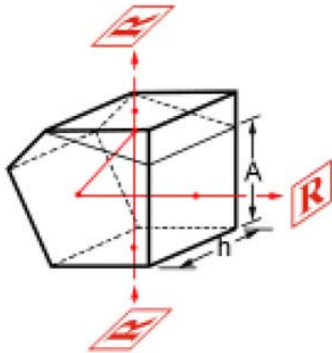


Beamsplitter Penta Prisms



Specifications:

Material:	BK7
Diameter Tolerance(h):	+/-0.1mm
Diameter Tolerance(A):	+/-0.2mm
90°, 180° Deviation Tolerance	< 30 arc seconds
Surface Quality:	60-40 scratch and dig
Flatness:	$\lambda/2@632.8\text{nm}$
Beamsplitter Ratio :	20/80 \pm 5@ 630-680nm, T/R
Chamfer:	Protective bevel

Axh (mm)	Part No.		
	1 min. Deviation	30 sec. Deviation	15 sec. Deviation
7 x 6	PRS1300	PRS1310	PRS1320
10 x 10	PRS1301	PRS1311	PRS1321
15 x 15	PRS1302	PRS1312	PRS1322
20 x 20	PRS1303	PRS1313	PRS1323

Z-OPTICS LIMITED

Tel: +86-577-8181-0885 Fax: +86-577-6286-6900

sales@z-optics.com

www.z-optics.com