



LD650-200-1

●Specifications:

Wavelength: 650nm
 Power: 200mW CW
 Package: TO18

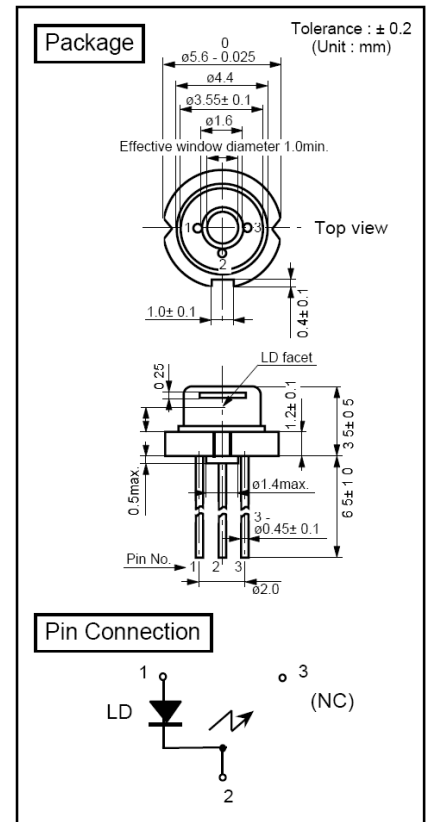
●Absolute Maximum Ratings($T_c=25^\circ\text{C}$):

Parameter		Symbols	Ratings	Units
Light Output	CW	P_o	200	mW
Reverse Voltage	Laser	V_r	2	V
Operation Temperature		T_{op}	-10~+75	$^\circ\text{C}$
Storage Temperature		T_{stg}	-40~+85	$^\circ\text{C}$

●Electrical and Optical Characteristics($T_c=25^\circ\text{C}$):

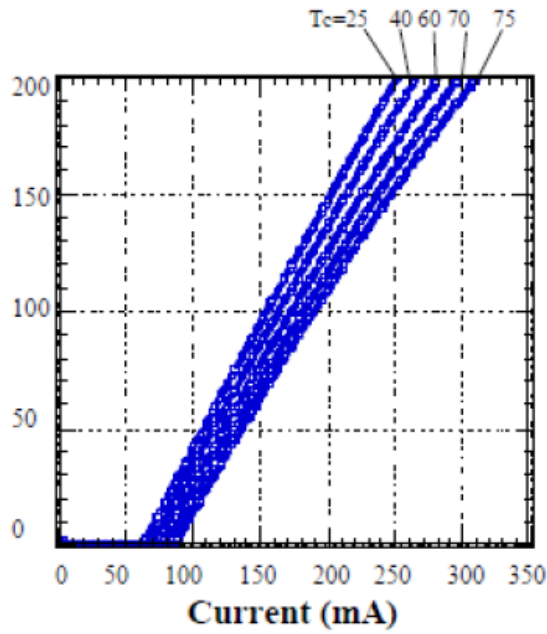
Parameter		Symbols	Condition	Min.	Typ.	Max.	Unit
Lasing Wavelength		λ_p	$P_o=180\text{mW}$	645	650	655	nm
Threshold Current		I_{th}	CW	-	40	60	mA
Operating Current		I_{op}	$P_o=180\text{mW}$	-	250	280	mA
Operating voltage		V_{op}	$P_o=180\text{mW}$	-	2.5	3.0	V
Beam ¹⁾ Divergence	Parallel	$\theta_{//}$	$P_o=180\text{mW}$	8	10	12	deg.
	Perpendicular	θ_{\perp}	$P_o=180\text{mW}$	15	19	22	deg.
Slope Efficiency		η	-	0.6	0.8	1.0	mW/mA
Emission Point Accuracy		$\Delta x \Delta y \Delta z$	$P_o=180\text{mW}$	-80	-	80	μm
Life Time (MTTF)					>8000		h

1) Full angle at half Maximum

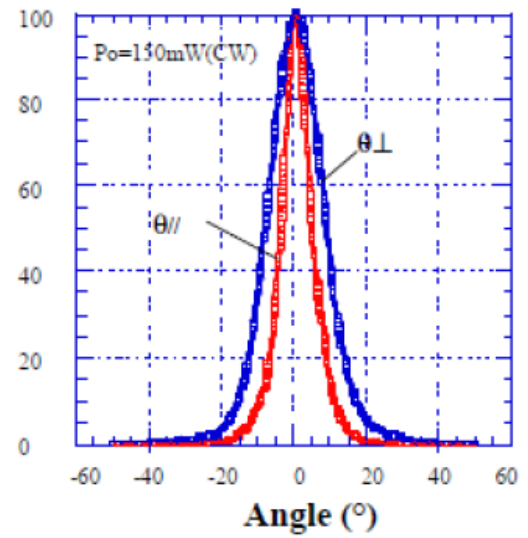




Typical Characteristics



Light Output Power vs. Current



Far-Field-Patterns